



EMPOWERING FUTURE

Reliable, Efficient & Advanced Motor Solutions
for the Next Generation of Drones

P60 PIN AGRICULTURAL UAV MOTOR KV170 & KV340



Overview :

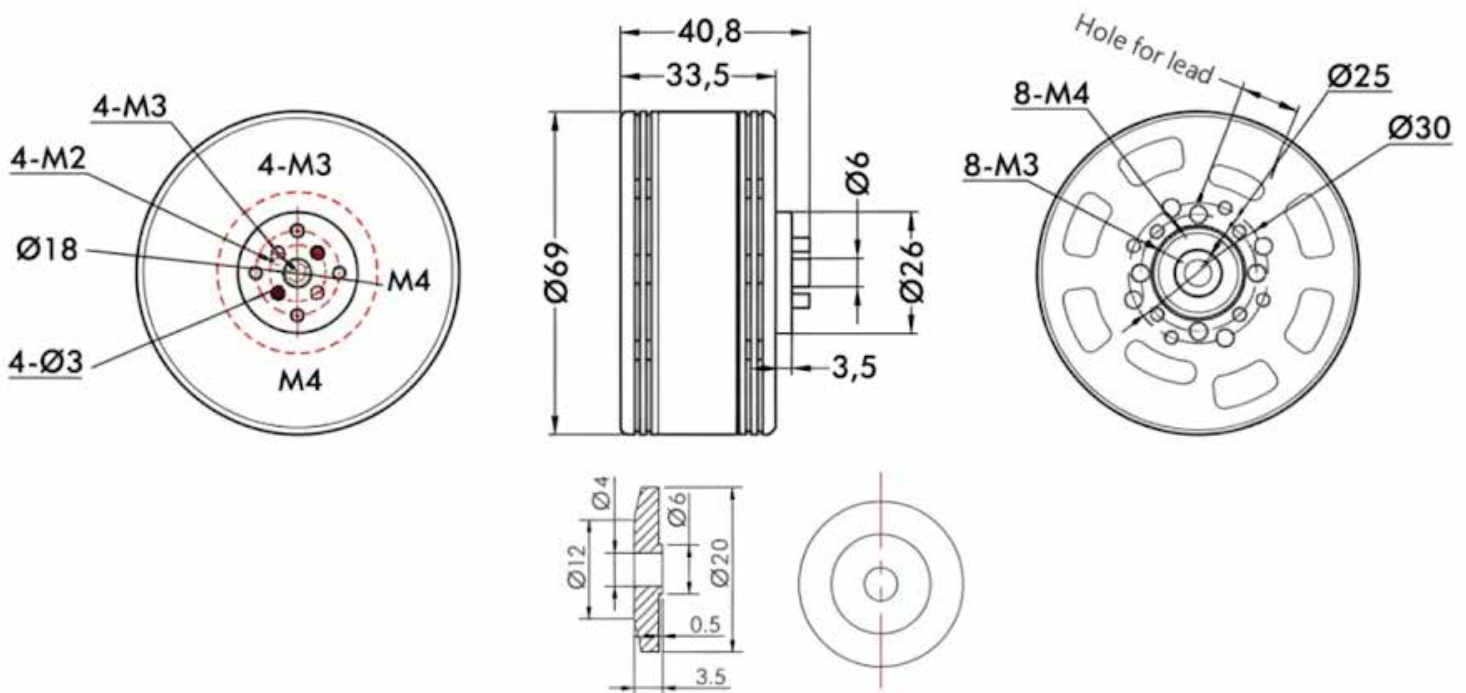
The Mecwin P60 Pin KV170 Agricultural UAV Motor is designed to deliver strong, smooth, and reliable performance for farming drones. Its advanced design ensures powerful lift with less noise and vibration, while the durable, weather-resistant build protects it from dust, water, and rough conditions. Perfect for agricultural use, it helps drones operate efficiently and consistently in the field.

Key Features :

- High RPM & Fast Response – Designed for quick throttle changes and stable flight.
- Lightweight Design – Compact and optimized for drones to reduce overall weight.
- Durable Build – Uses high-quality materials like aluminum alloy and strong magnets for long life.
- Efficient Cooling – Open design or special ventilation to prevent overheating.
- Smooth Performance – Precision bearings for reduced vibration and stable footage.



Outline Drawing :



Specifications :

MECWIN P60 Pin Agricultural UAV Motor KV170			
Brand	Mecwin	Max Power (180S)	1800W
Test Item	P60 KV170	Configuration	24N28P
Internal Resistance	80mΩ	Motor Dimensions	Φ69×37mm
Shaft Diameter	6mm	Stator Height	15mm
Stator Diameter	62mm	Cable Length	600mm
AWG	16#	Weight Excluding Cables	345g
Weight Including Cables	375g	Idle Current@10v	1A
No.of Cells(Lipo)	6-14S	Max Continuous current 180S	38A

Load Performance Parameters :

Model No	Voltage (v)	Prop	Throttle(%)	Current (A)	Power (W)	Thrust(G)	RPM	Efficiency (G/W)	Operating Temperature (°C)
P60 KV170	48V	MECWIN 20*6CF	50%	5.4	259.2	2116	4152	8.16	55
			55%	6.4	307.2	2371	4425	7.72	
			60%	7.7	369.6	2762	4709	7.47	
			65%	9.3	446.4	3125	5014	7	
			75%	13.2	633.6	4002	5626	6.32	
			85%	17.3	830.4	4821	6177	5.81	
		100%	25.4	1219.2	6246	6992	5.12		
		MECWIN 22*6.6CF	50%	6.6	316.8	2801	3703	8.84	85
			55%	8.6	412.8	3312	4005	8.02	
			60%	9.9	475.2	3763	4289	7.92	
			65%	12.4	595.2	4356	4575	7.32	
			75%	17.1	820.8	5372	5091	6.54	
			85%	23.2	1113.6	6582	5635	5.91	
			100%	34	1632	8414	6374	5.16	

Notes: The test condition of temperature is motor surface temperature at 100% throttle while the motor run 10min.



Specifications :

MECWIN P60 Pin Agricultural UAV Motor KV340

Brand	Mecwin	Max Power (180S)	1550W
Test Item	P60 KV340	Configuration	24N28P
Internal Resistance	35mΩ	Motor Dimensions	Φ69×37mm
Shaft Diameter	6mm	Stator Height	15mm
Stator Diameter	62mm	Cable Length	600mm
AWG	16#	Weight Excluding Cables	345g
Weight Including Cables	375g	Idle Current@10v	2A
No.of Cells(Lipo)	6-8S	Max Continuous current 180S	65A

Load Performance Parameters :

Model No	Voltage (V)	Prop	Throttle (%)	Current (A)	Power (W)	Thrust(G)	RPM	Efficiency (G/W)	Operating Temperature (°C)
P60 KV340	24V	MECWIN 20*6CF	50%	10.4	249.6	1912	3960	7.66	50
			55%	12.6	302.4	2207	4247	7.3	
			60%	14.5	348	2472	4491	7.1	
			65%	17	408	2805	4760	6.88	
			75%	23.9	573.6	3493	5292	6.09	
			85%	31.5	756	4191	5781	5.54	
			100%	44.9	1077.6	5302	6470	4.92	
		MECWIN 22*6.6CF	50%	14	336	2683	3732	7.99	78
			55%	17.3	415.2	3075	3977	7.41	
			60%	20.2	484.8	3444	4192	7.1	
			65%	23	552	3802	4418	6.89	
			75%	31.1	746.4	4609	4869	6.17	
			85%	40.5	972	5459	5257	5.62	
			100%	57.8	1387.2	6762	5827	4.87	

Notes: The test condition of temperature is motor surface temperature at 100% throttle while the motor runs 10min.

